

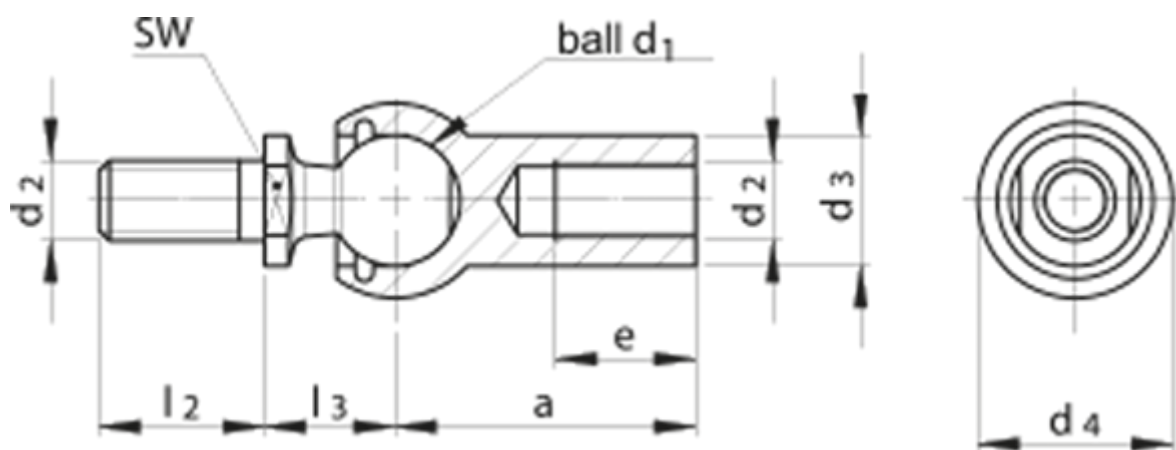
# Data Sheet



Article number: 14022441125

Description: KLEE Angled KLEE Ball joint CS16 M10X1,25  
DIN 71802 Zinc plated

## Measures



$a = 35$

$d_1 = 16$

$d_2 = M10$

$d_3 = 16$

$d_4 = 24$

$e = 15.5$

$FN = 80$

$l_2 = 20$

$l_3 = 16$

$sw = 13$